

# BERKSHIRE

## Compact Ironing Board

CORBY

### BURN PROOF ALUMINISED COVER

Reflects heat for safe, fast & efficient ironing, helps prevent heat staining

### LIGHT WEIGHT

Easy to carry

### FELT BACKED COVER

For smooth ironing

### STEAM FLOW MESH BOARD

Allows steam to pass through clothing for effective ironing

### COMPACT BOARD SIZE

Accommodates smaller wardrobe spaces

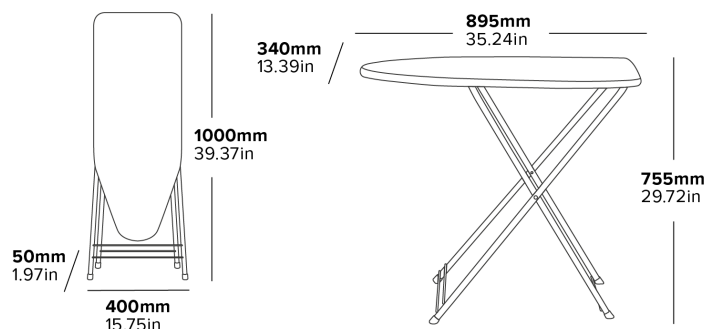


- Light weight
- Durable black powder coated legs & frame
- Deck chair mechanism
- Felt backed replaceable cover



### Specification

Dark Grey  
3kg



# BERKSHIRE

## Compact Ironing Board

CORBY



### ABOUT THIS PRODUCT

The Berkshire Ironing Board in Dark Grey is an ideal solution for hotel guest rooms, combining durability and ease of use. Built with a sturdy powder-coated frame and legs, it ensures long-lasting performance. The innovative deck chair mechanism allows for quick and easy setup, while its lightweight design makes storage and handling effortless. Featuring a burn-proof aluminised cover, this ironing board provides added safety and reliability. Designed for both functionality and style, the Berkshire Ironing Board is the perfect choice for hotels looking to offer guests a simple ironing experience.



# Hotel Supplies

PRODUCTS OF DISTINCTION

## Proud Distributors of Luxurious Hotel Supplies

At Hotel Supplies Ltd, we provide a wide selection of high-quality products to elevate your guests' experience. From luxurious toiletries and cozy bathrobes to eco-friendly welcome amenities and tailored items, we cater to both small and large-scale requirements—whether it's for intimate boutiques or ambitious new hotel projects.

## Family-run Business

Based in Surrey, Hotel Supplies Ltd is a family-run business with over 25 years of experience in the hospitality industry. Led by Stefan and Jenny, we pride ourselves on quality products and outstanding customer service. Stefan's extensive industry knowledge and commitment to excellence, combined with Jenny's attention to detail and passion for luxury, ensure our customers always receive the best.

## Shop Now:



[www.hotelsuppliesltd.co.uk](http://www.hotelsuppliesltd.co.uk)



[info@hotelsuppliesltd.co.uk](mailto:info@hotelsuppliesltd.co.uk)



01372 725544

