

CANTERBURY

0.6L Double Walled Kettle

CORBY

PUSH BUTTON LID

Easy to open

LARGE OPENING

Easy cleaning

INTEGRATED FILTER

0.6L CAPACITY

Designed for guest room use

DOUBLE WALLED

Silicone insulation sleeve

STRIX THERMAL CONTROLLER

World leader in kettle controls

**CENTRALLY LOCATED
LED INDICATOR SWITCH**
For left & right handed users

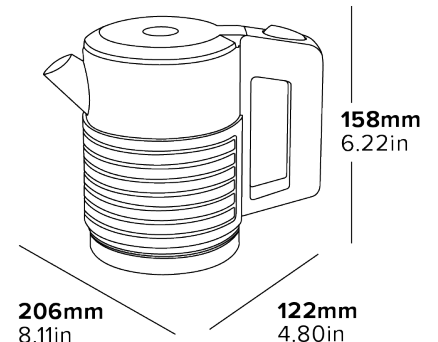
CONCEALED HEATING ELEMENT
Easy to clean



- Space saving design
- 360° base
- 304 grade stainless steel
- Integrated water level markings
- Integrated power cord tidy

Specification

Black
1000W
0.90kg
Cable length: 0.8m



CANTERBURY

0.6L Double Walled Kettle

CORBY



ABOUT THIS PRODUCT

The Corby Canterbury 0.6L Double Walled Kettle features a traditional British tea spout, a wide handle, and an extra-wide opening for easy access and cleaning. Its double-walled design enhances guest comfort, ensuring both safety and efficiency. Perfect for any setting, the black and brushed steel finish adds an elegant touch to your space.



Hotel Supplies

PRODUCTS OF DISTINCTION

Proud Distributors of Luxurious Hotel Supplies

At Hotel Supplies Ltd, we provide a wide selection of high-quality products to elevate your guests' experience. From luxurious toiletries and cozy bathrobes to eco-friendly welcome amenities and tailored items, we cater to both small and large-scale requirements—whether it's for intimate boutiques or ambitious new hotel projects.

Family-run Business

Based in Surrey, Hotel Supplies Ltd is a family-run business with over 25 years of experience in the hospitality industry. Led by Stefan and Jenny, we pride ourselves on quality products and outstanding customer service. Stefan's extensive industry knowledge and commitment to excellence, combined with Jenny's attention to detail and passion for luxury, ensure our customers always receive the best.

Shop Now:



www.hotelsuppliesltd.co.uk



info@hotelsuppliesltd.co.uk



01372 725544

